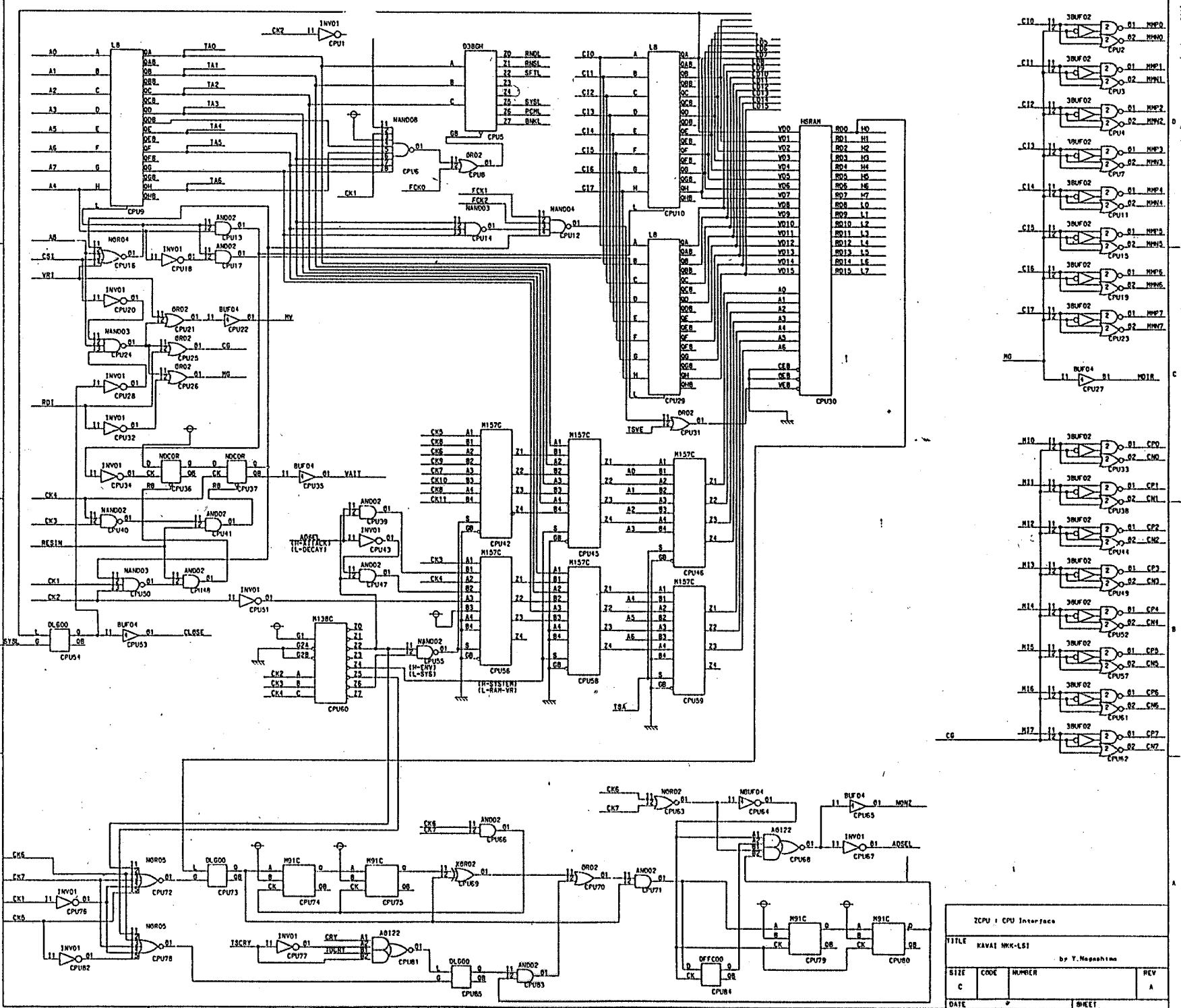


ZCLK : System Clock Generator				
TITLE KAVAI MKK-L61				
by T. Nagashima				
SIZE C	CODE F	NUMBER F	REV A	
DATE				SHEET

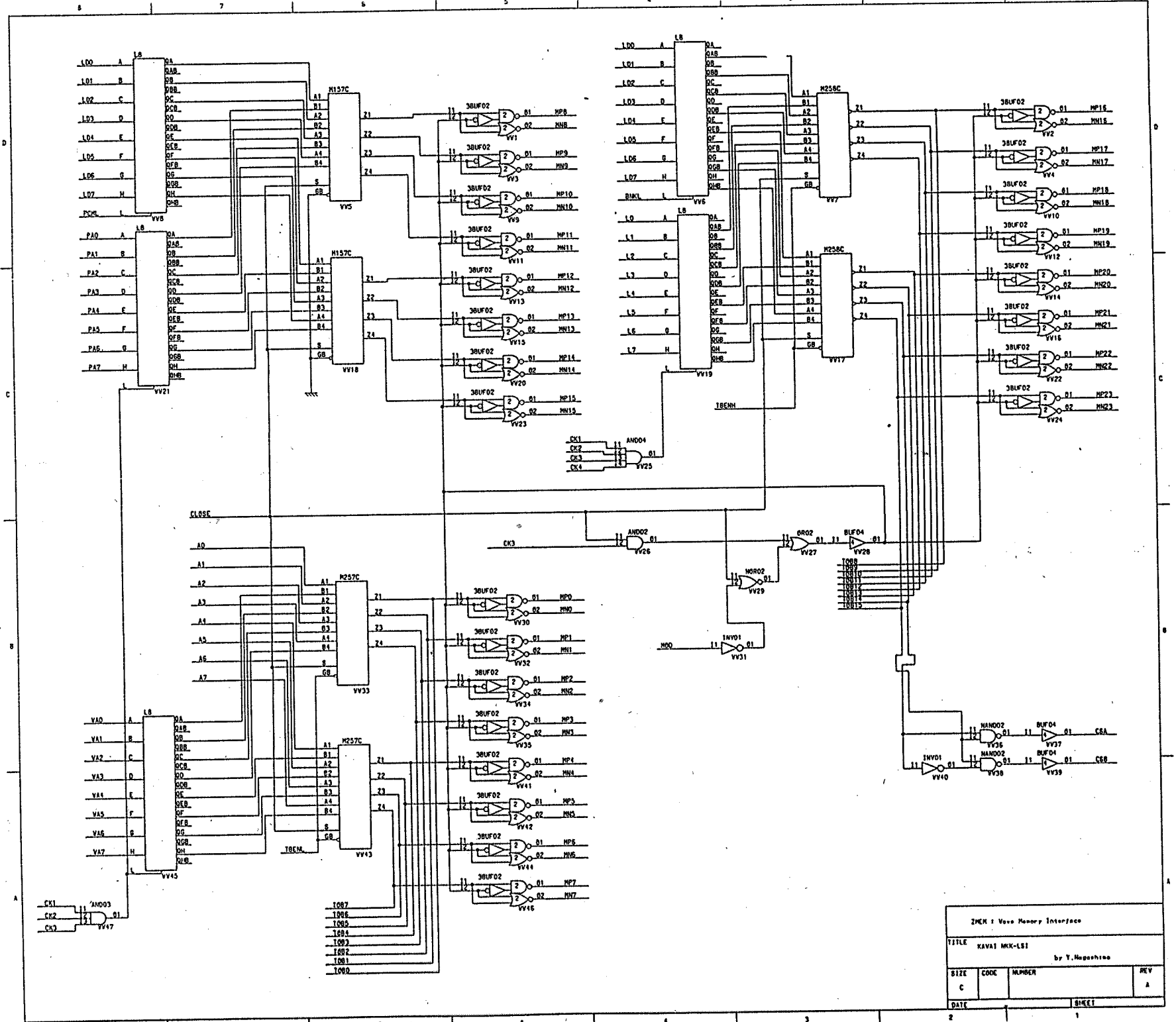
A31F-B41F-C01F-A41F

CLK

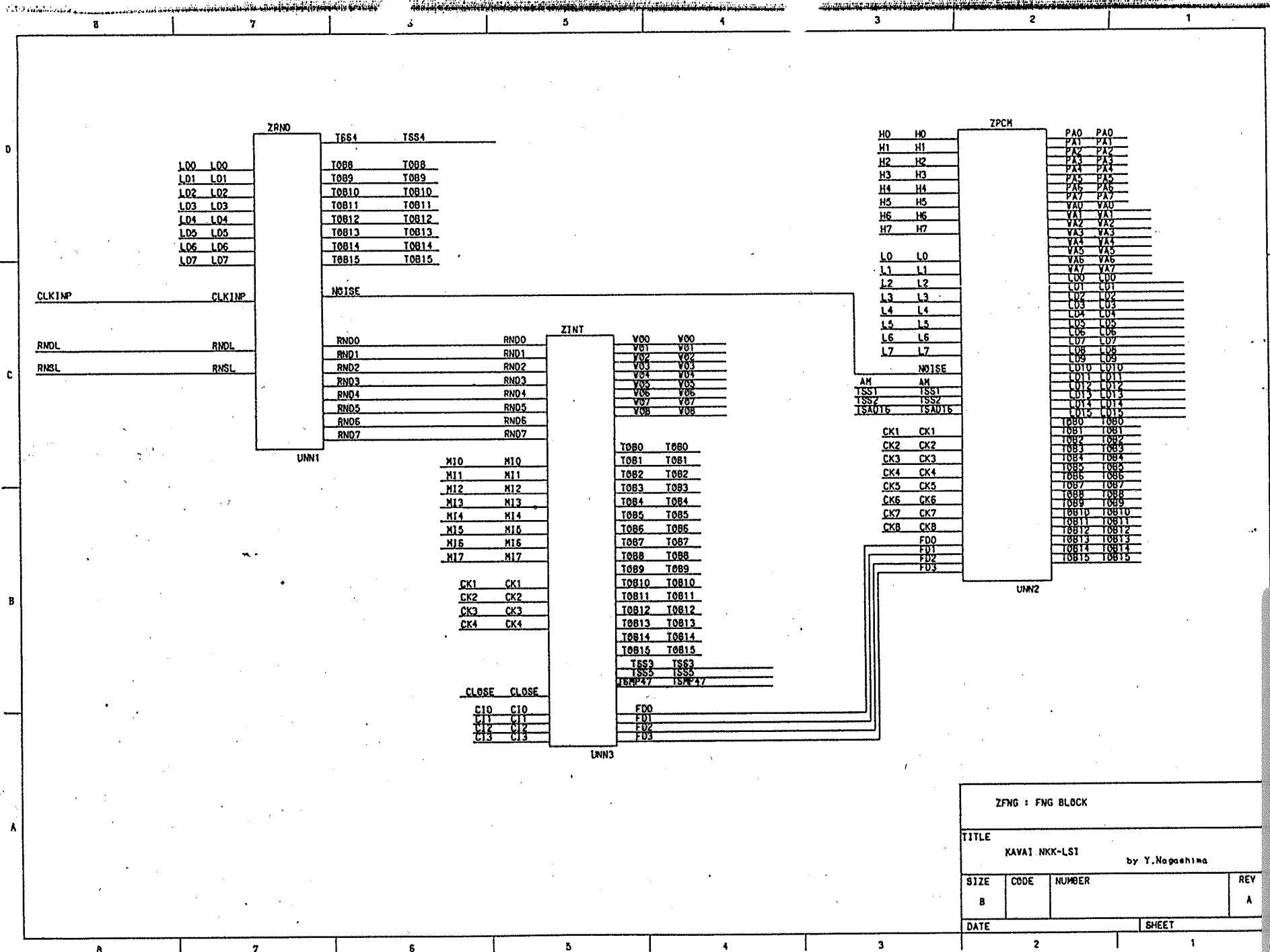
KOKUYO



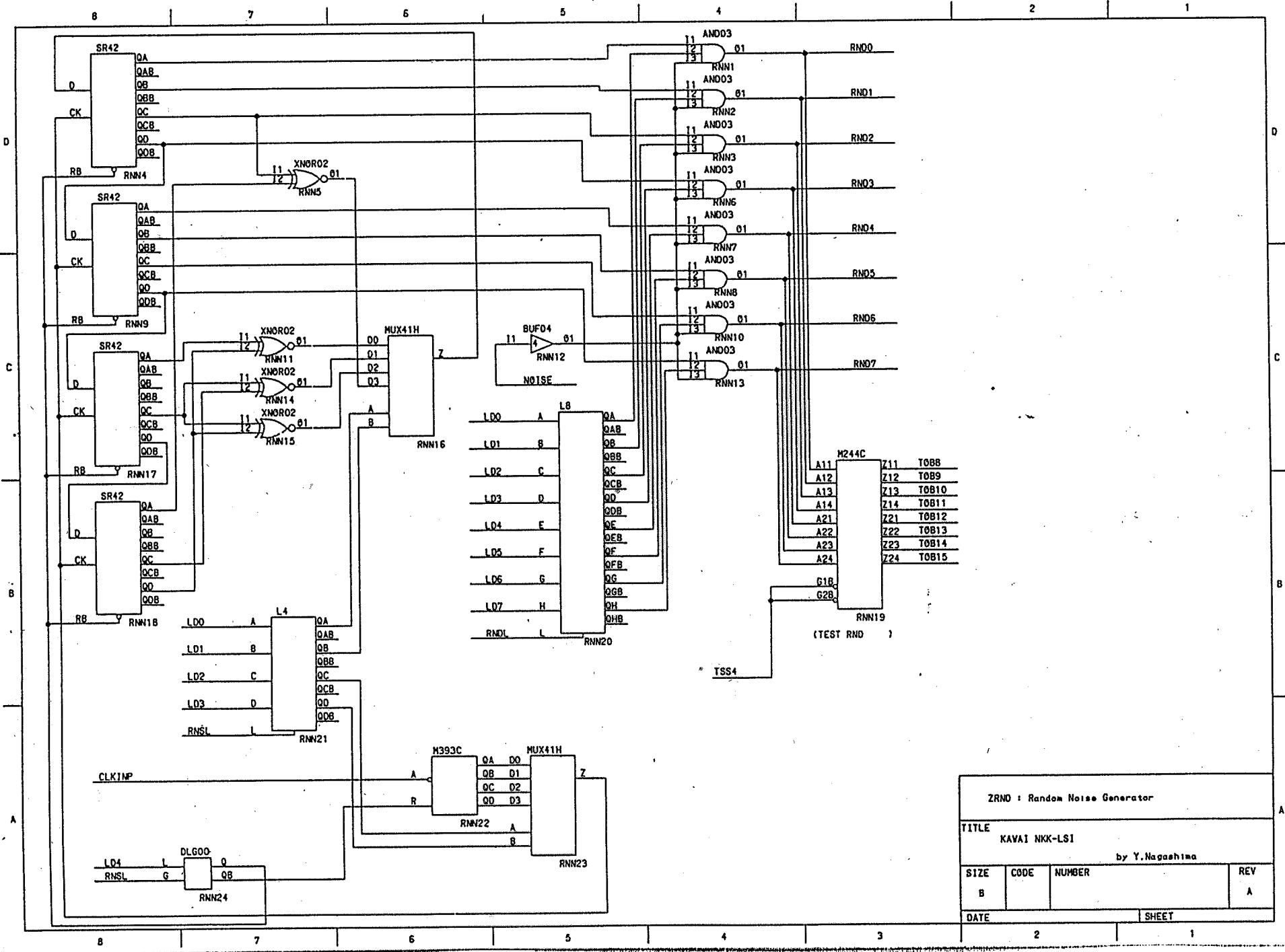
ZCPU : CPU Interface			
TITLE KAWAI MKK-LS1			
by Y. Nagashima			
SIZE	CODE	NUMBER	REV
C			A
DATE	SHEET		



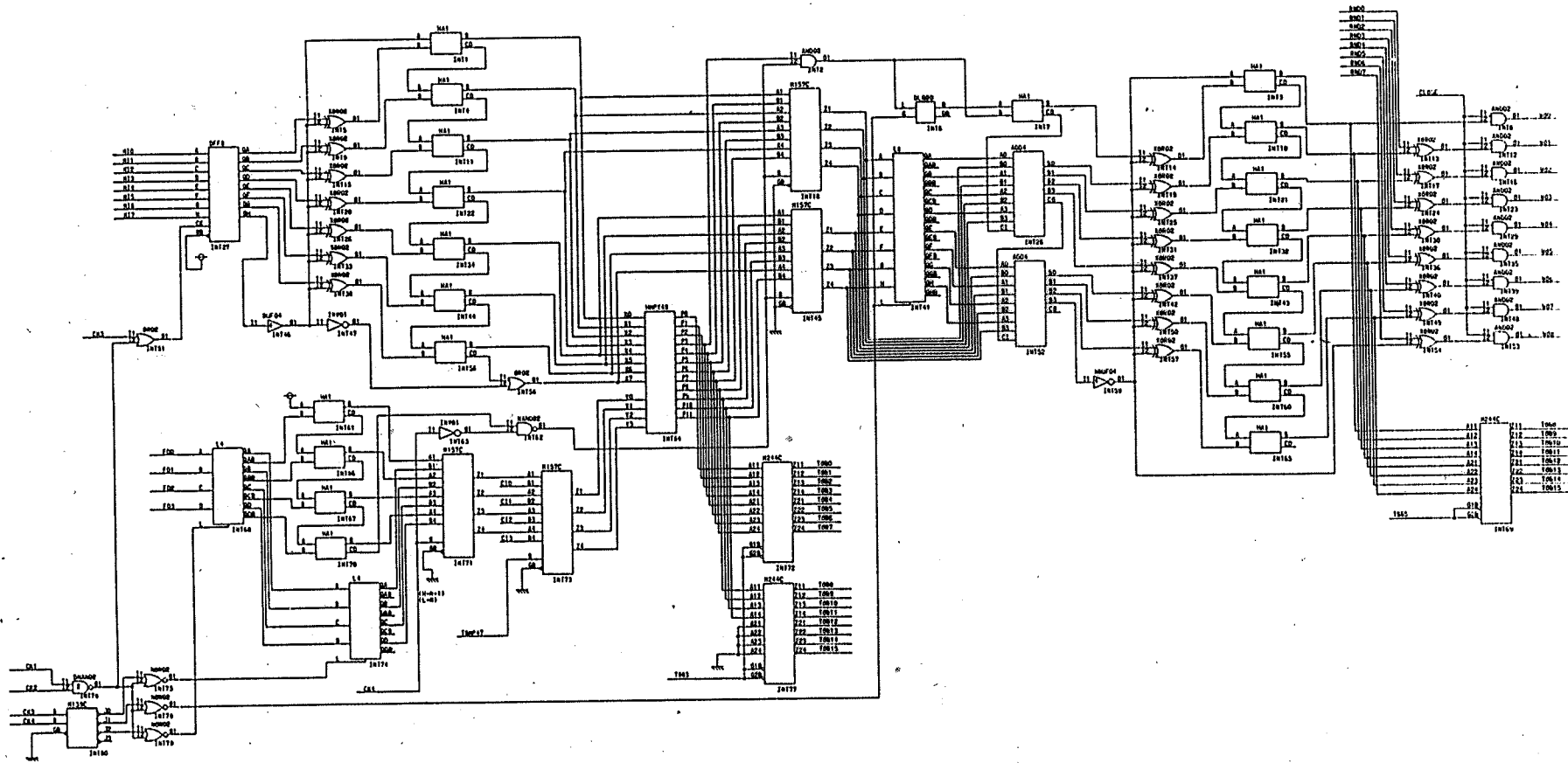
ZMH : Vme Memory Interface			
TITLE KAVAI MKK-LS1			
by Y. Nagashino			
SIZE	CODE	NUMBER	REV
C			A
DATE	SHEET		



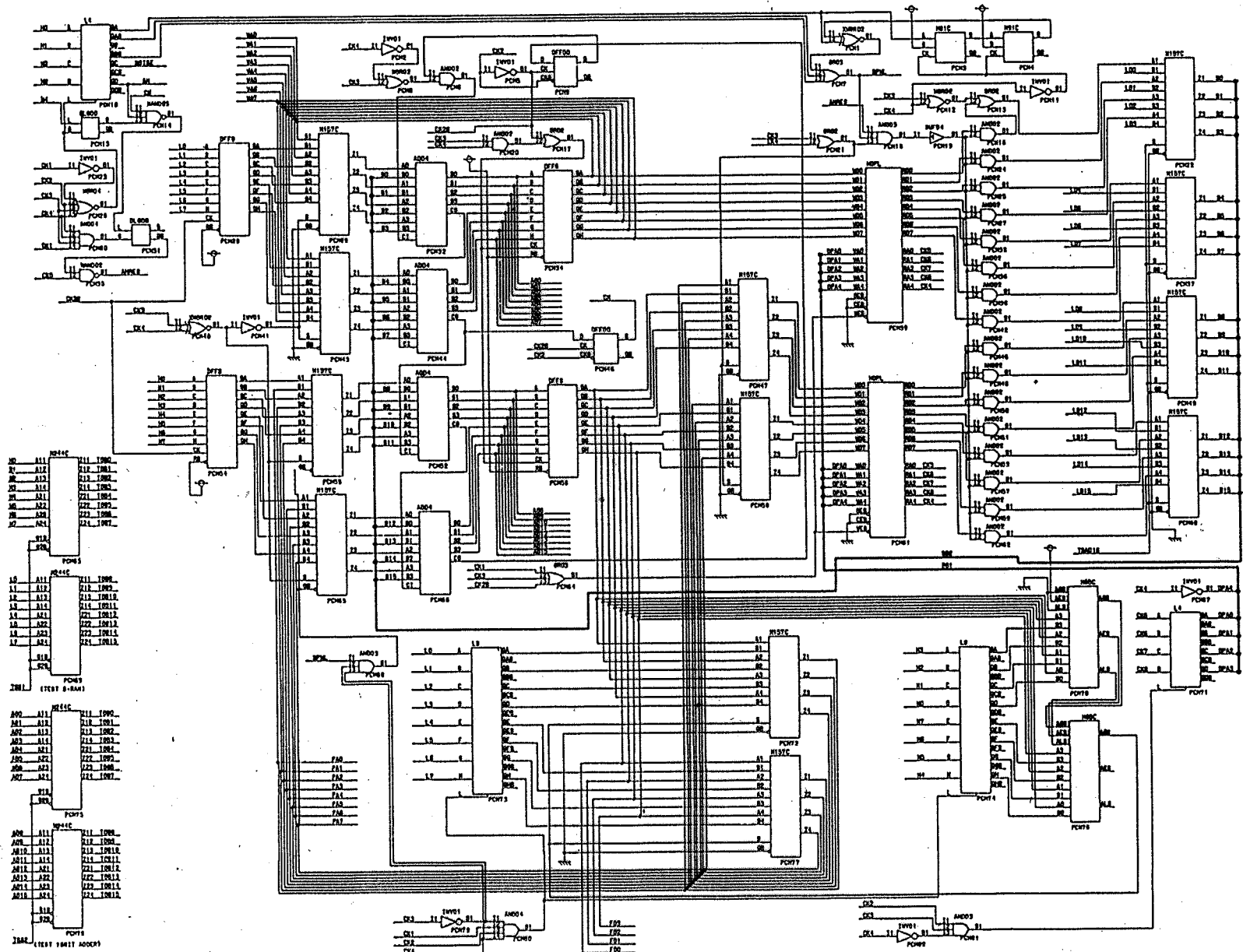
ZFNG : FNG BLOCK			
TITLE			
KAWAI NKK-LSI		by Y.Nagashima	
SIZE	CODE	NUMBER	REV
B			A
DATE			SHEET



ZRND : Random Noise Generator			
TITLE KAVAI NKK-LS1			
by Y.Nagashima			
SIZE B	CODE	NUMBER	REV A
DATE			SHEET



2187 - Interrupter Circuit				
TITLE 2187 INT-123				
BY T. Nishizawa				
REV	DATE	NO.	BY	CHK
0				
001				



30 A11  
31 A12  
32 A13  
33 A14  
34 A15  
35 A16  
36 A17  
37 A18  
38 A19  
39 A20

211 T000  
212 T001  
213 T002  
214 T003  
215 T004  
216 T005  
217 T006  
218 T007

10 A11  
11 A12  
12 A13  
13 A14  
14 A15  
15 A16  
16 A17  
17 A18  
18 A19  
19 A20

211 T000  
212 T001  
213 T002  
214 T003  
215 T004  
216 T005  
217 T006  
218 T007

400 A11  
401 A12  
402 A13  
403 A14  
404 A15  
405 A16  
406 A17  
407 A18  
408 A19  
409 A20

211 T000  
212 T001  
213 T002  
214 T003  
215 T004  
216 T005  
217 T006  
218 T007

400 A11  
401 A12  
402 A13  
403 A14  
404 A15  
405 A16  
406 A17  
407 A18  
408 A19  
409 A20

211 T000  
212 T001  
213 T002  
214 T003  
215 T004  
216 T005  
217 T006  
218 T007

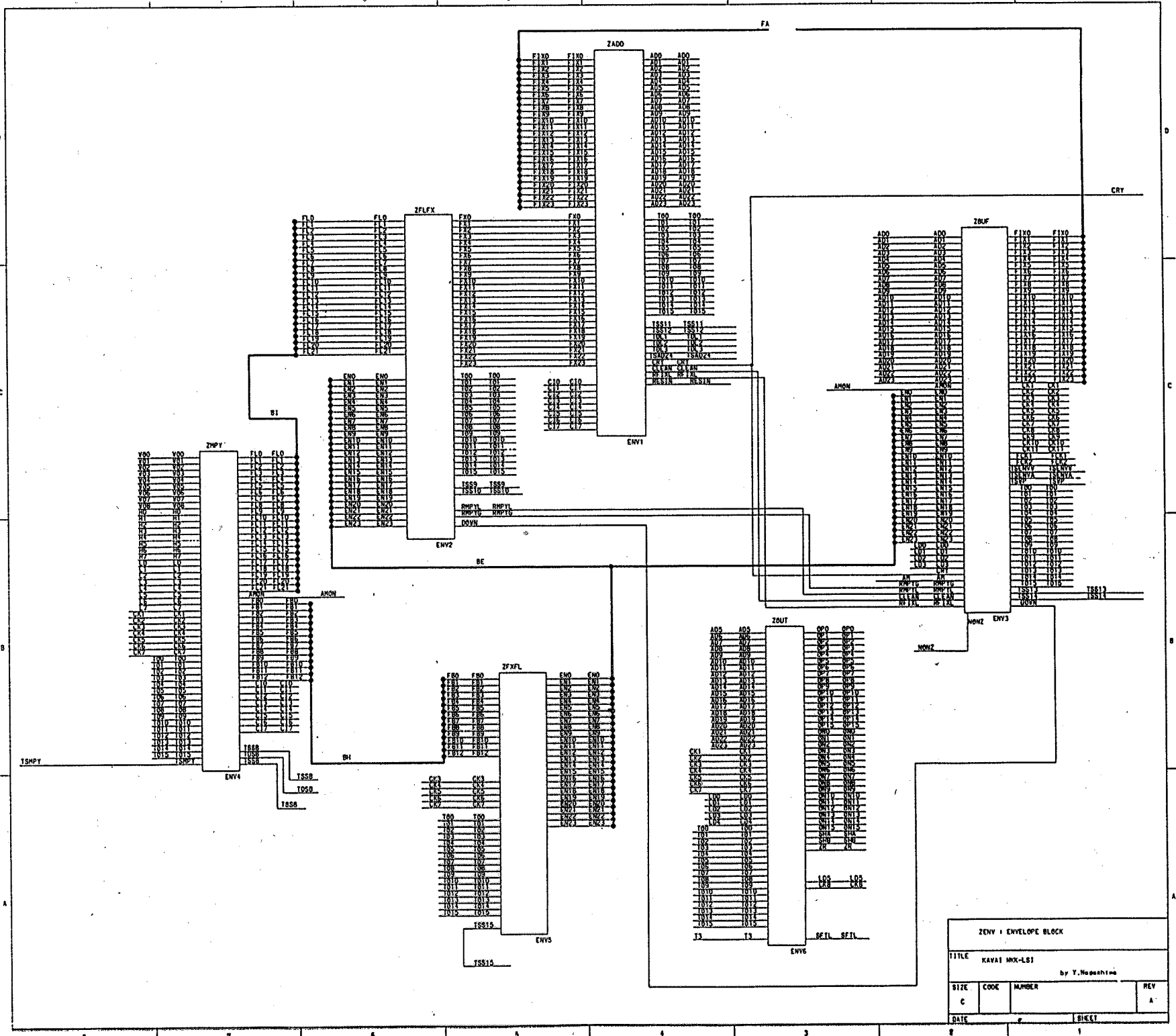
100 A11  
101 A12  
102 A13  
103 A14  
104 A15  
105 A16  
106 A17  
107 A18  
108 A19  
109 A20

211 T000  
212 T001  
213 T002  
214 T003  
215 T004  
216 T005  
217 T006  
218 T007

AC-1F-304-IF-C-1F-44-1F

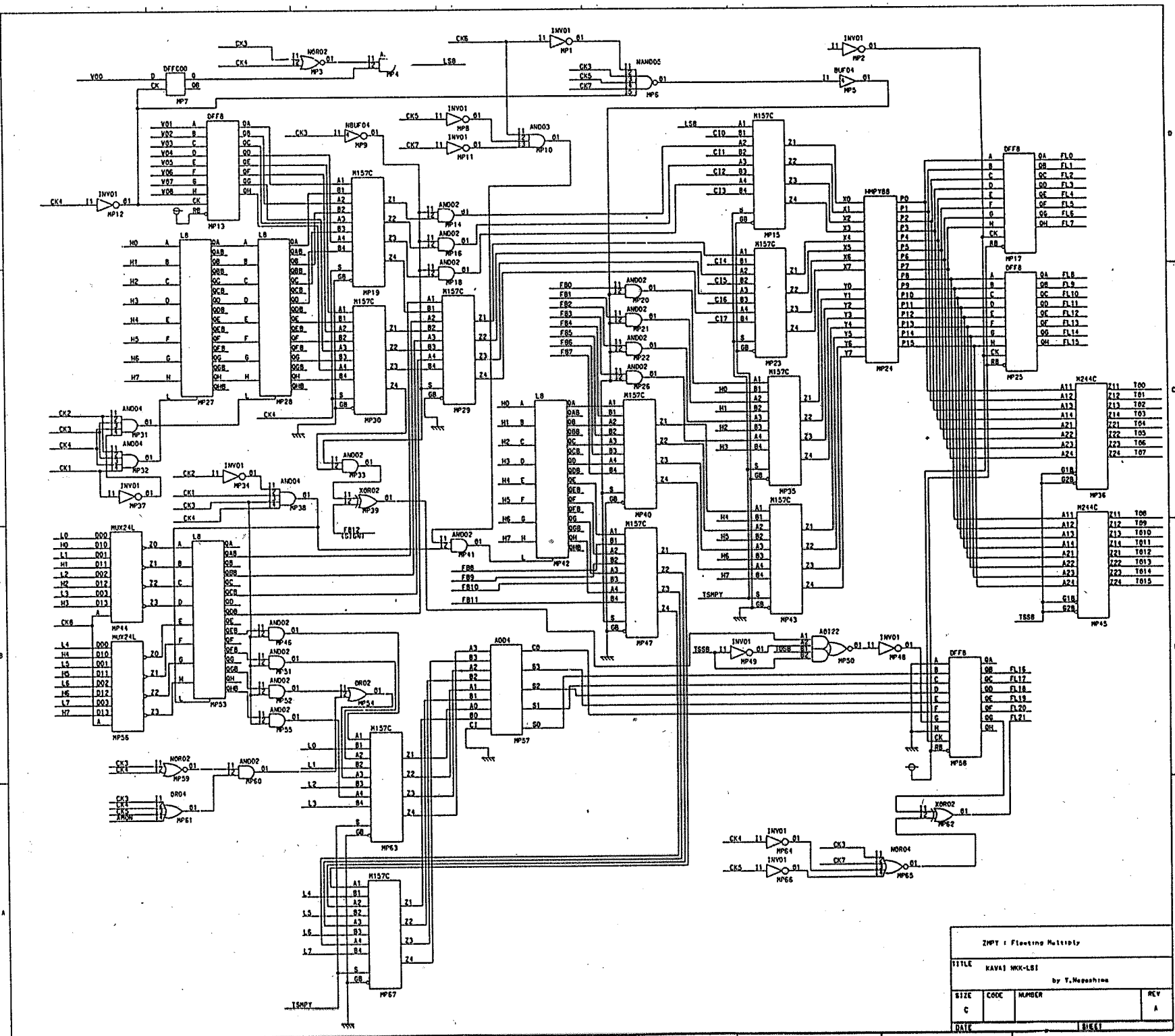
PeM

KOKUYO



ZENV - ENVELOPE BLOCK			
TITLE KAVAI MKK-LB1			
by Y. Nishitani			
SIZE	CODE	NUMBER	REV
C			A
DATE			SHEET



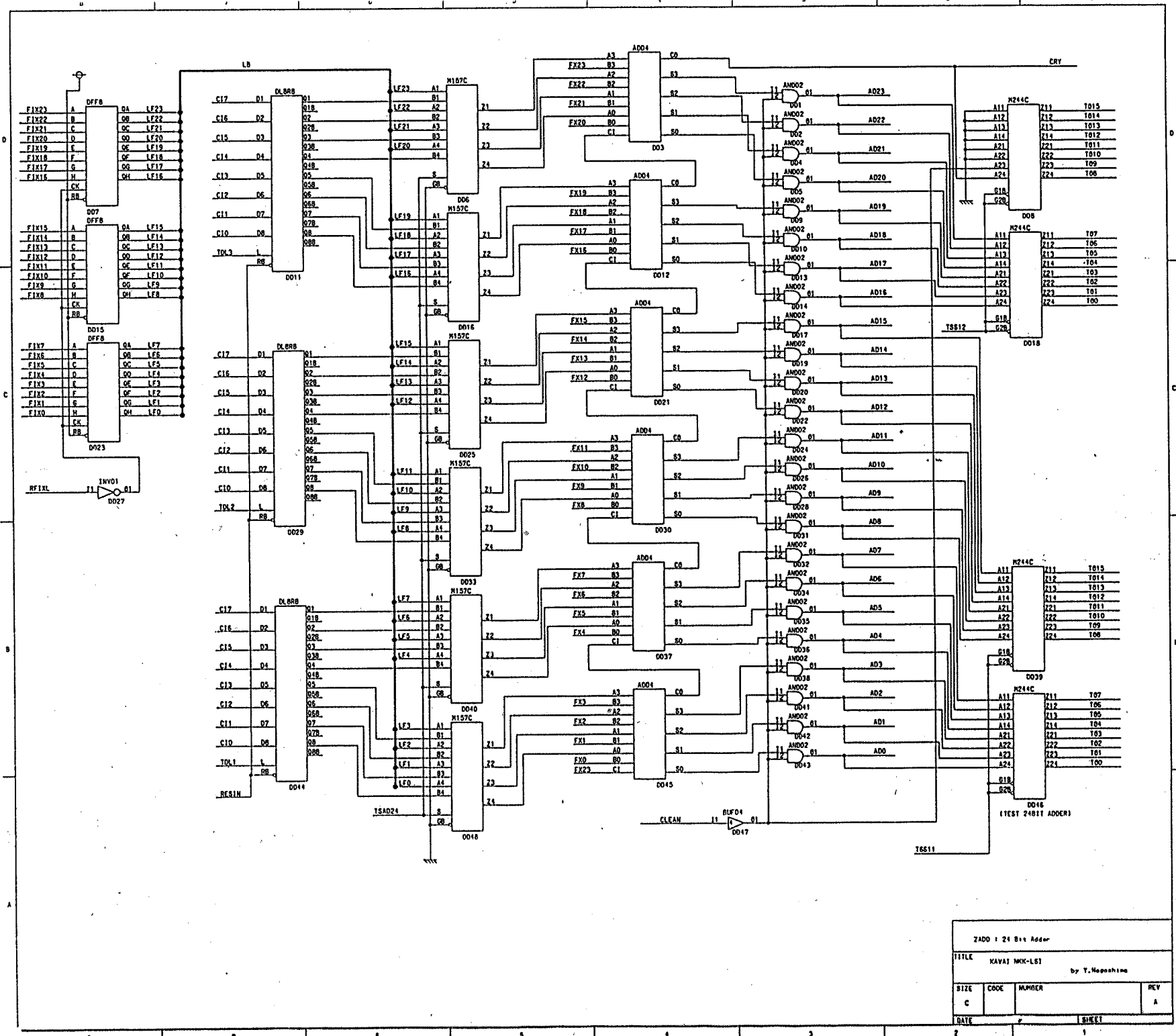


ZMPY - Floating Multiplier				
TITLE KAVAI MKX-LSI				
by T. Nagashima				
SIZE	CODE	NUMBER	REV	
C			A	
DATE	1981.11			

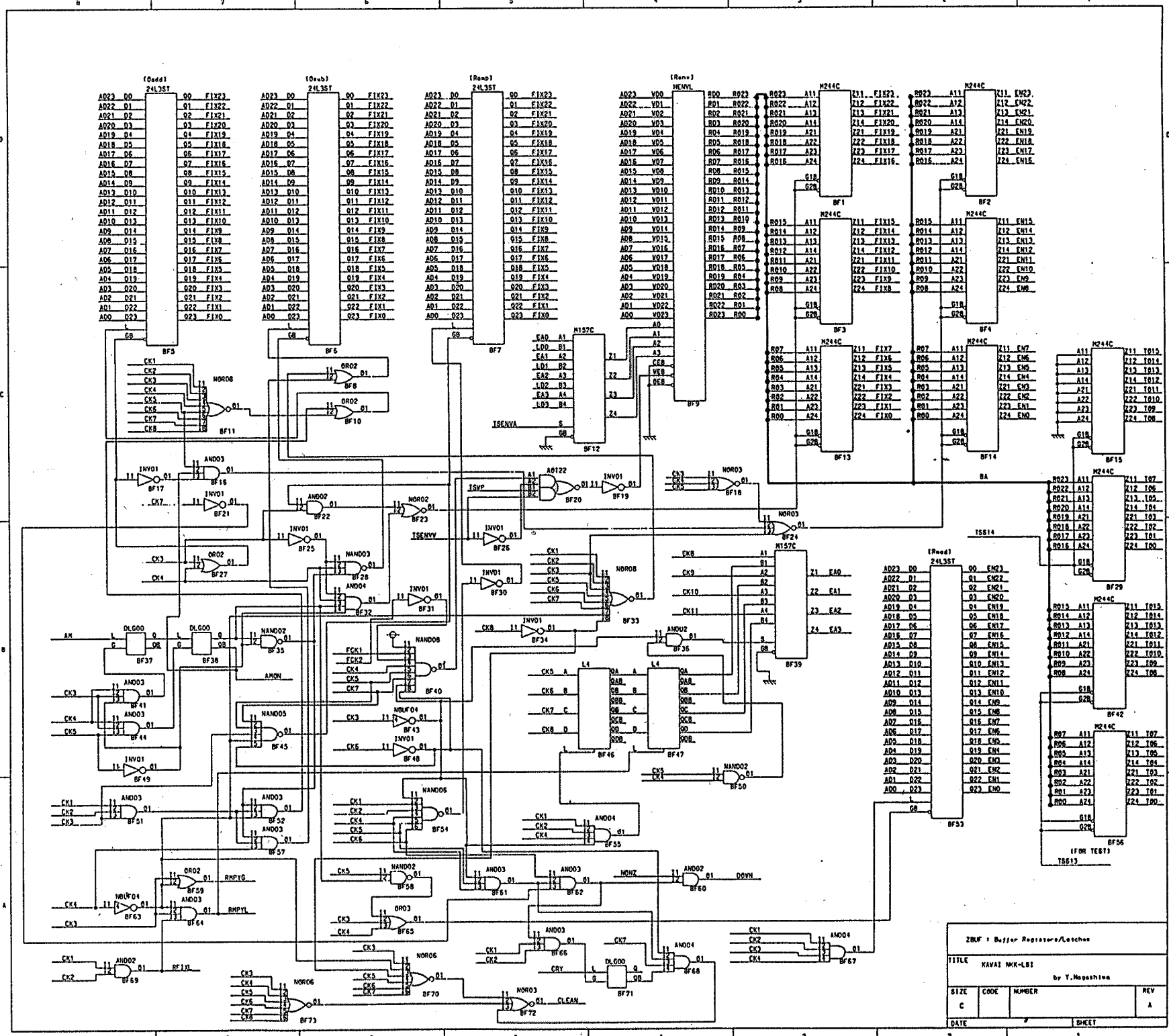
Q5: P, B4: P, C: F, A4: P

**MPY**

KOKUYO



ZADD : 24 Bit Adder			
TITLE KAVAJ MKK-L61			
by Y. Nagashima			
SIZE	CODE	NUMBER	REV
C			A
DATE			SHEET

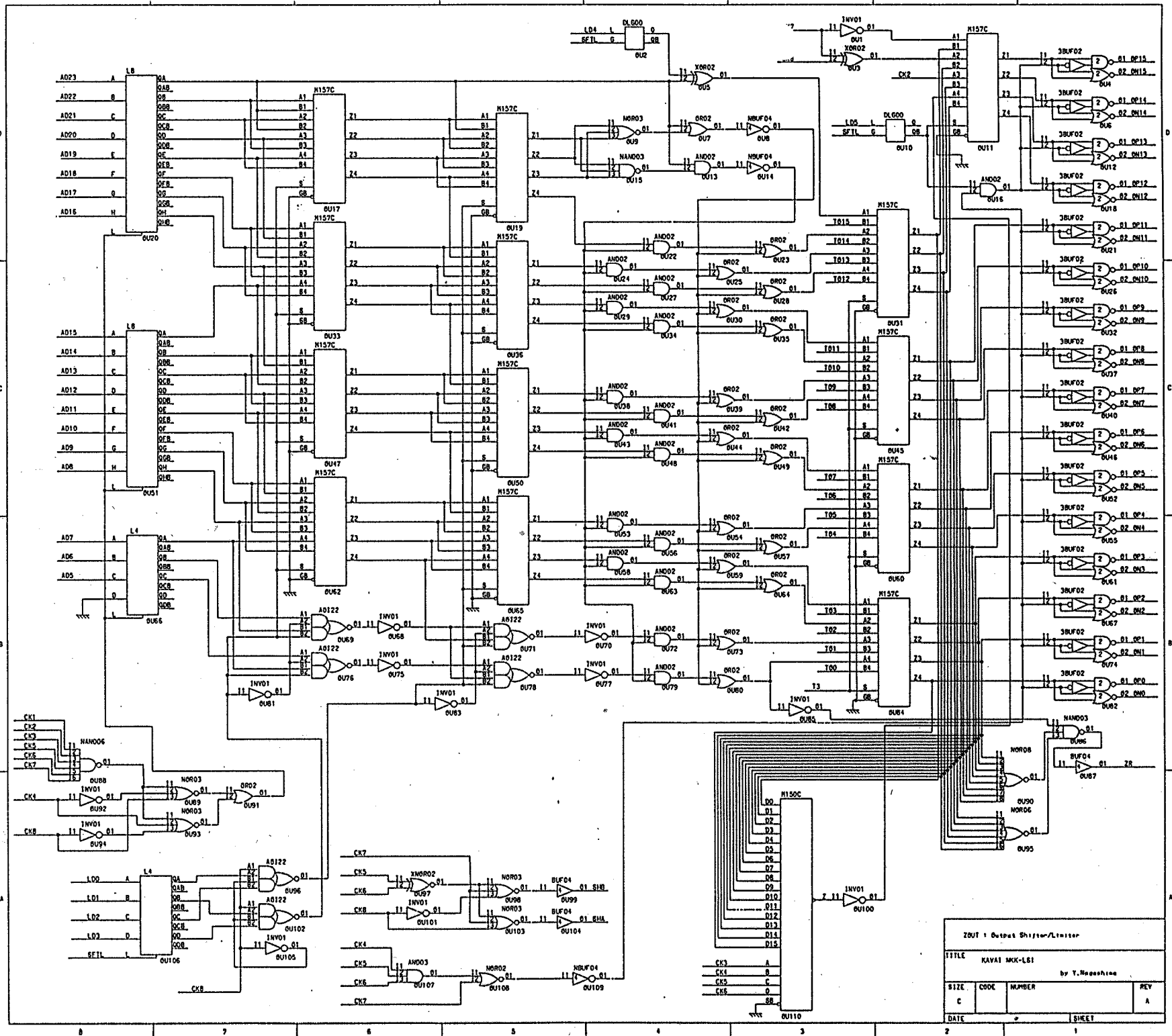


ZRUF : Buffer Registers/Latches

TITLE KAVAI MKC-LB1  
by Y. Nagashima

SIZE	CODE	NUMBER	REV
C			A

DATE SHEET

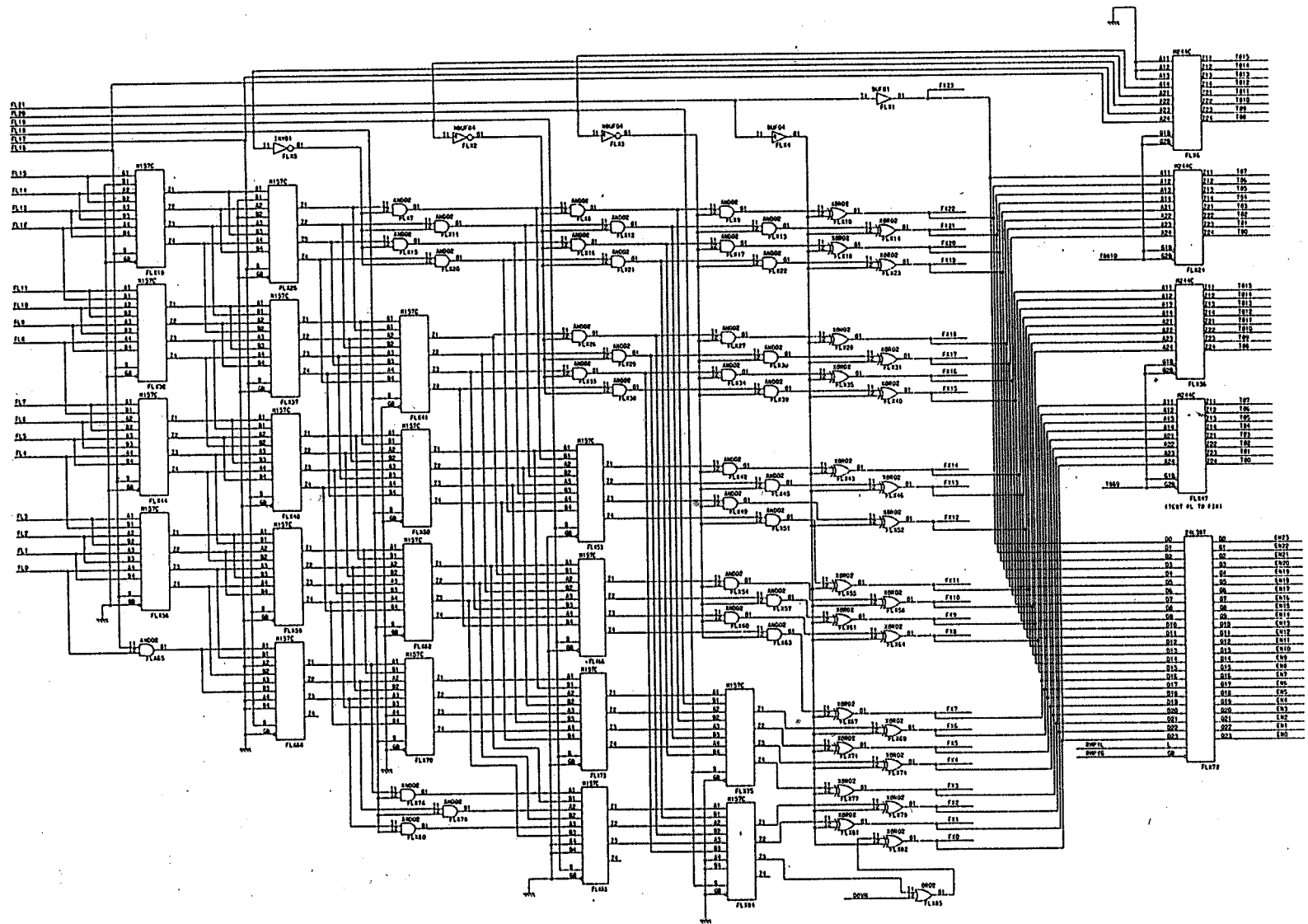


ZOUT 1 Output Shifter/Trisistor			
TITLE KAVAI MKK-LS1			
by Y. Nishizawa			
SIZE	CODE	NUMBER	REV
C			A
DATE			SHEET

AD16-AD23  
L00-L03  
CK1-CK7  
L04  
SFIL

**DUT**

KOKUYO

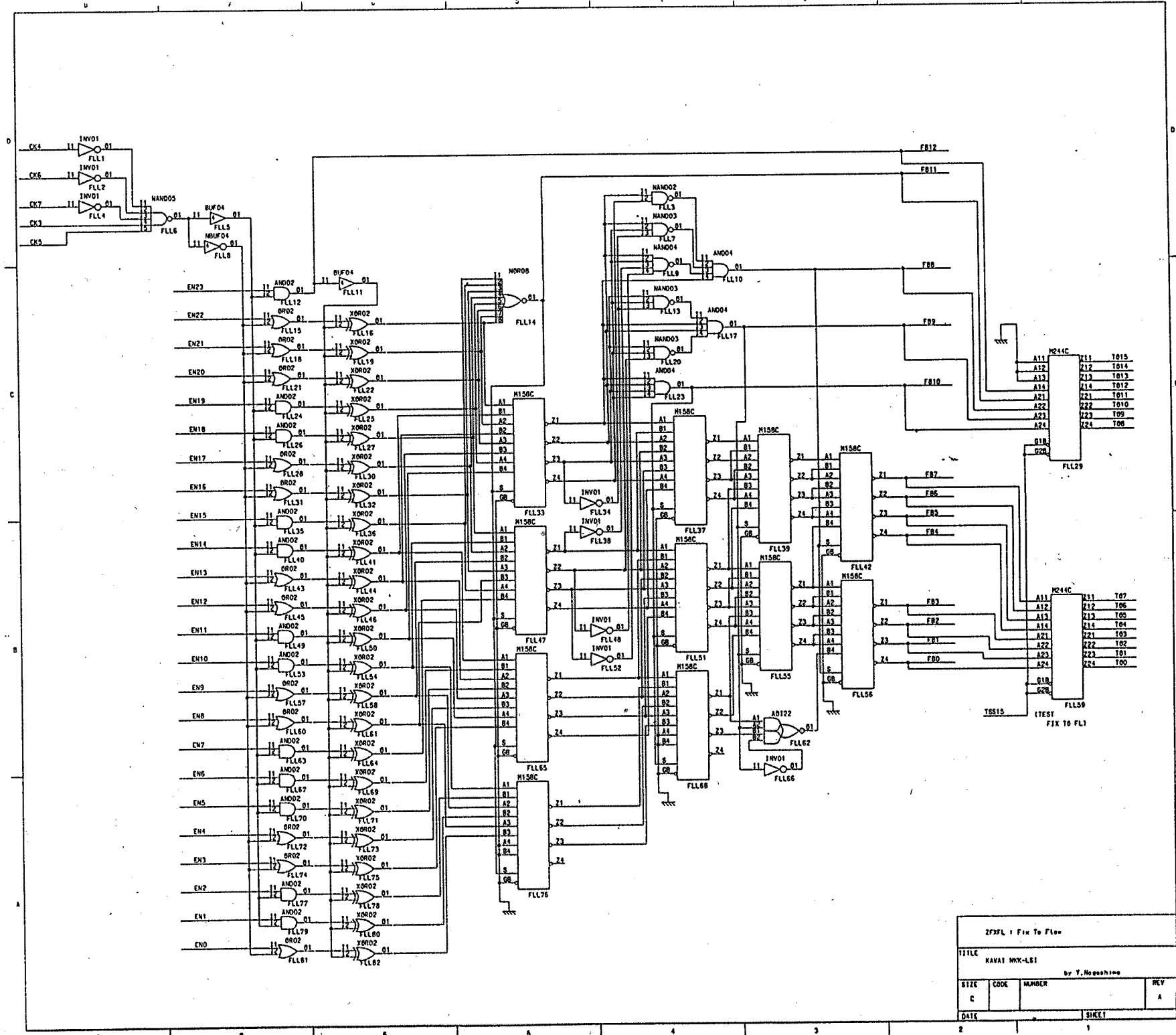


DIFF 1 Flow to P10			
TITLE 0043 00-131			
BY T. Yamashita			
DATE	CODE	NUMBER	REV.
0			0
0011			0011

AS-IF - BA-IF - O-IF - AD-IF

**PLFX**

KOKUYO

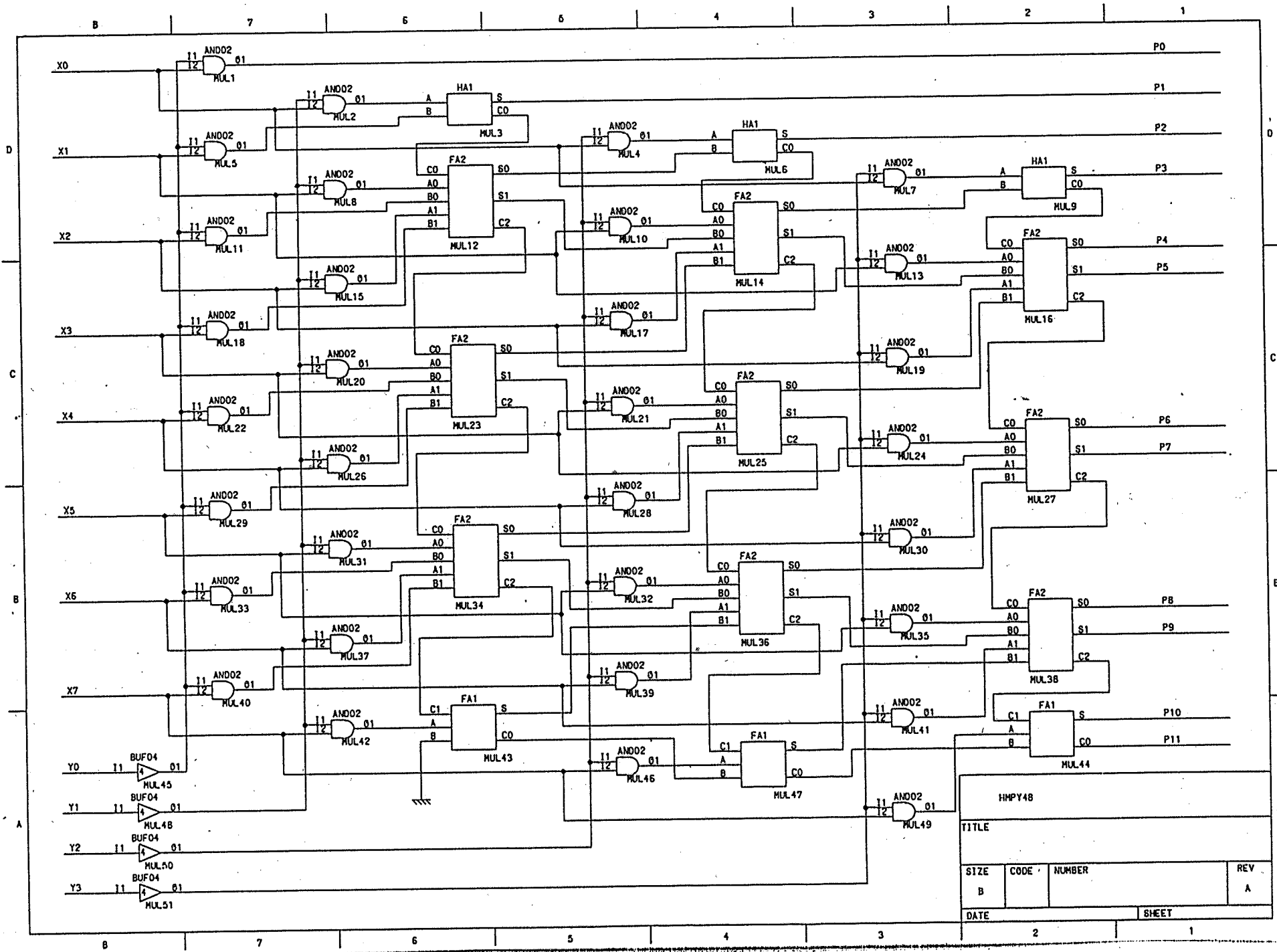


2F3FL : Fix To Flow			
TITLE			
KAVAT MXX-LS1			
by T. Nagashima			
SIZE	CODE	NUMBER	REV
C			A
DATE	SHEET		

A3-F-B4-F-C-F-A4-F

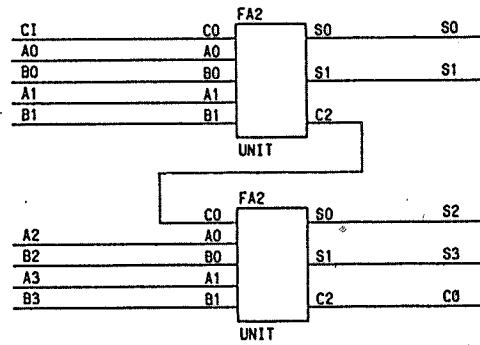
**FXFL**

KOKUYO



HPV: 4x8			
TITLE			
SIZE	CODE	NUMBER	REV
B			A
DATE			SHEET
			1

HPV: 4x8  
 KOKUYO



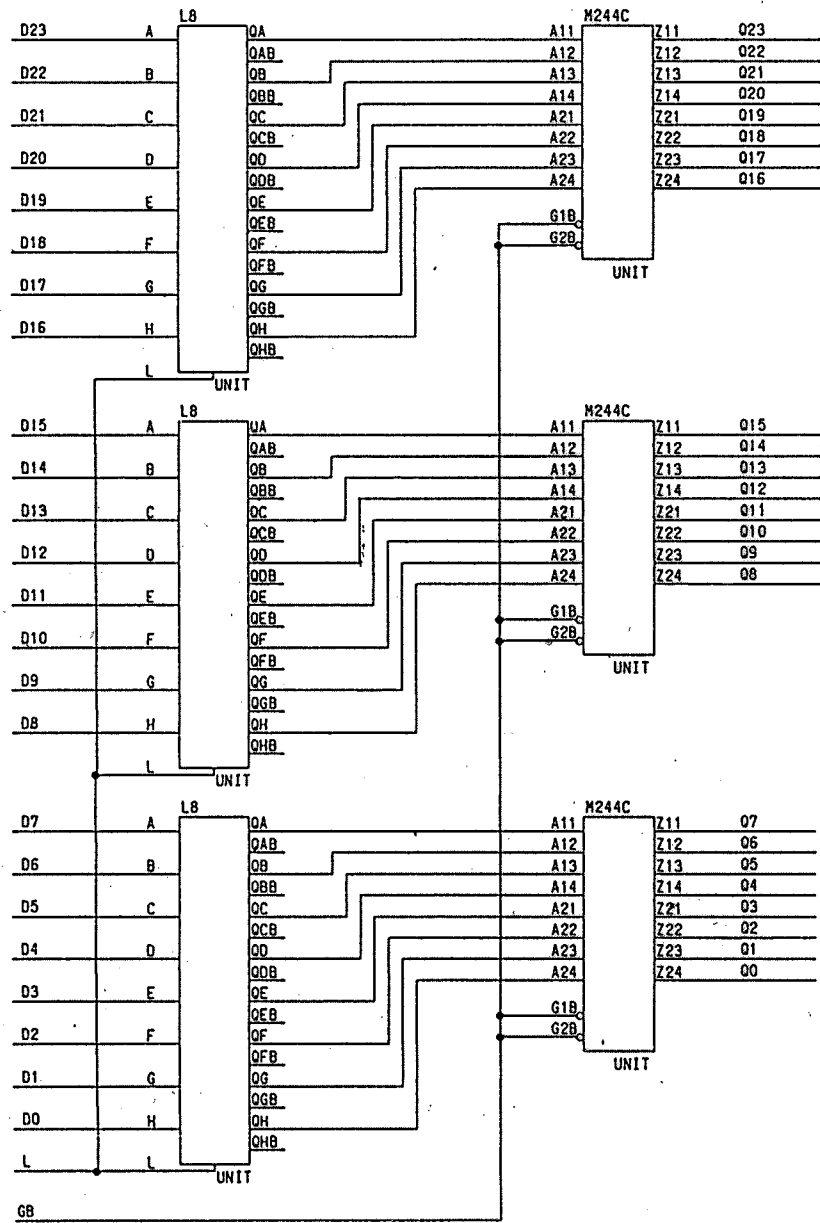
ADD4 : 4 Bit Adder			
TITLE			
SIZE	CODE	NUMBER	REV
B			A
DATE		SHEET	

ADD4 : 4 Bit Adder

4 Bit Adder

KOKUYO





24L3ST : 24 Bit Latch			
TITLE			
SIZE	CODE	NUMBER	REV
B			A
DATE			SHEET

24Bit Latch  
 KOKUYO

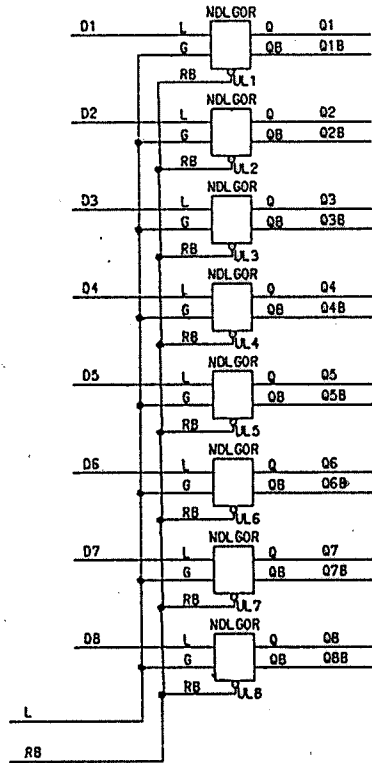
8 7 6 5 4 3 2 1

D

C

B

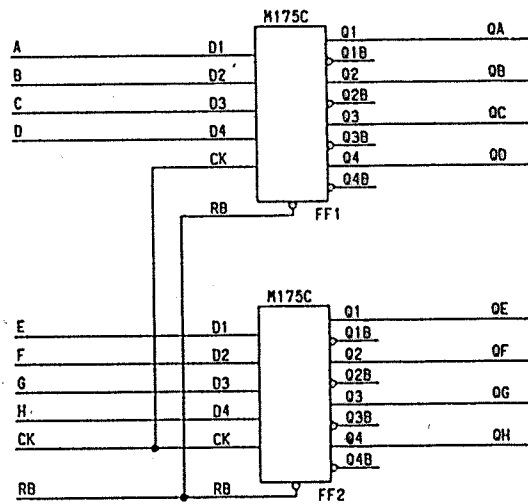
A



DL8RB			
TITLE			
SIZE	CODE	NUMBER	REV
B			A
DATE		SHEET	

8 7 6 5 4 3 2 1

AD-IF-84-IF-C-IF-AD-IF  
**8Bit Latch with CPU**  
KOKUYO



TITLE			
SIZE	CODE	NUMBER	REV
B			A
DATE			SHEET

8Bit Latch  
 KOKUYO  
 8-11-0-11-13-11-11