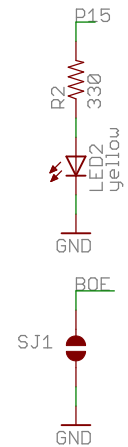
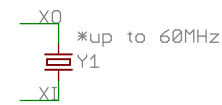
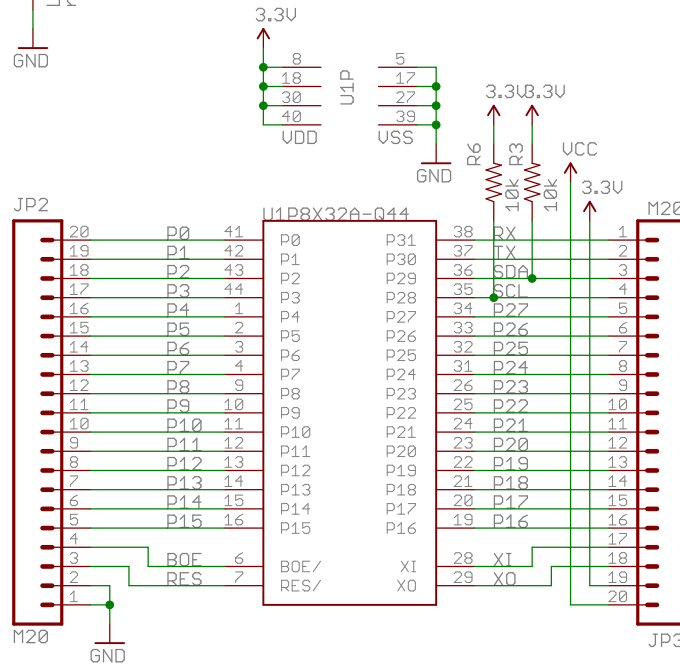
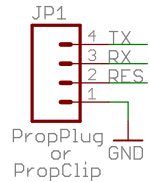
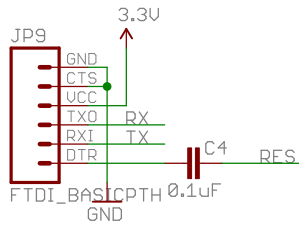
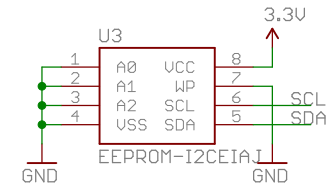
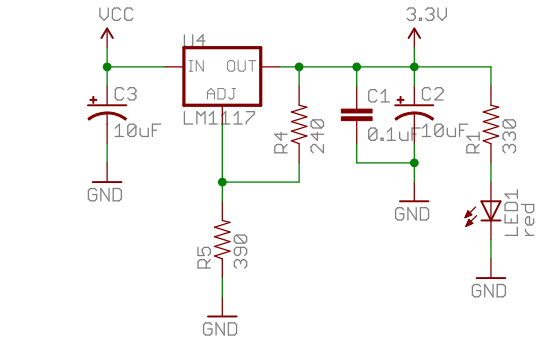


4V < UCC < 12V



SFE	SFE	SFE
-----	-----	-----

Released under the Creative Commons Attribution Share-Alike 3.0 License
<http://creativecommons.org/licenses/by-sa/3.0>
 A.Weiss

TITLE: P8X32A_Breakout

Design by: _____ REV: _____

Date: 1/17/2013 1:05:08 PM Sheet: 1/1

